

## IR-32 PIR Motion Detector

### Environment Protection with Enhanced Flexibility & Affordability



- Mounting Height at 2.3 to 2.5 meter
- Two Selectable Sensitivity Levels
- Capability to Enable/disable Pet Immunity via Jumper

Designed to prevent false alarms triggered by pets or small to medium size animals, IR-32 is a microprocessor controlled PIR Motion Detector that offers quality detection and pet immunity up to 25 kilos. The sensitivity levels of IR-32 can be adjusted to suit different premises. IR-32 leverages Vesta's industry-leading RF technologies to deliver super speed signal transmission and extensive communication range. The PIR also comes with its own battery cover, which makes battery replacement swift and easy, minimizing maintenance time.

Easy and flexible to install, IR-32 sends regular supervision signals to check system integrity and has tamper-proof design to prevent the opening or removal of its housing. Technologically advanced and aesthetically appealing, IR-32 stands out as a broadly applicable device ready to make your home or business safer and smarter.

### Features

- Detects suspicious movements by pass infrared technology
- Microprocessor controlled with advanced Adaptive Digital Signal Processing (ADSP) algorithms for false alarm immunity
- Turn on/off pet immunity by setting a jumper
- Pet weight: up to 25 kilograms
- Two selectable sensitivity levels
- Wireless for easy wall or corner mount
- Randomized supervision signals for system integrity
- High immunity to false alarms
- Mounting height: 2.3-2.5 m
- Detection range: 12 meters over a 90° angle
- Fast signal transmission & Extensive RF range
- Superior white light and noise rejection
- Automatic power saving mechanism
- Superior radio interference rejection
- Tamper protection against sabotage
- Temperature compensated sensitivity control

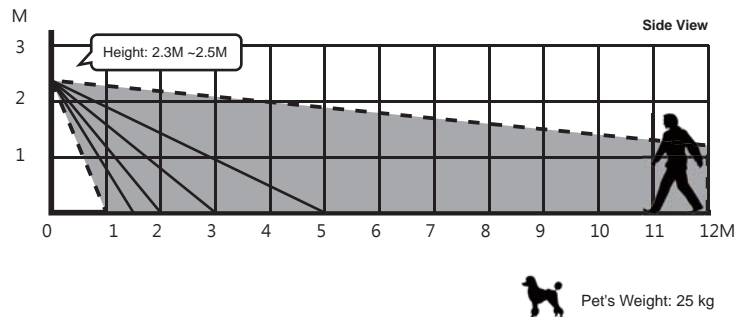
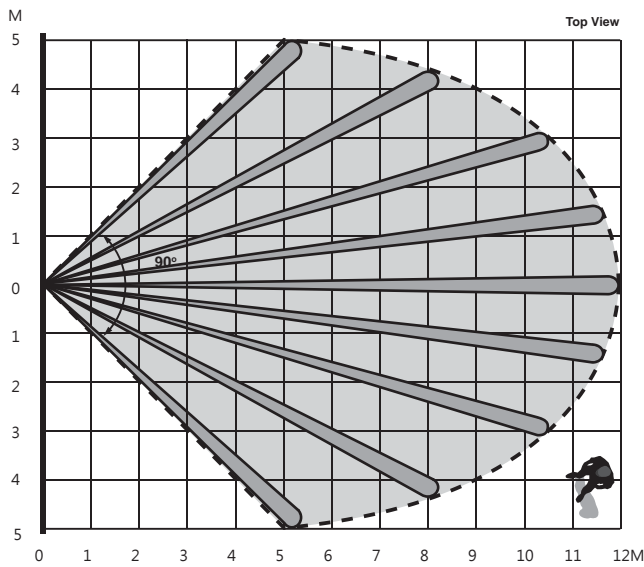
### Specifications

Frequency	433 MHz
Power Source	1.5V AA Alkaline batteries x 2 / CR123 battery x 1
Backup Battery life	7.6 years / 5.8 years*
Detection Range	12 meters
Horizontal Detection Angle	90°
Mounting Height	2.3m-2.5m
Operating Temperature	-10°C to 45°C (14°F to 113°F)
Operating Humidity	Up to 85% non-condensing
Dimensions	66 mm x 94 mm x 45mm

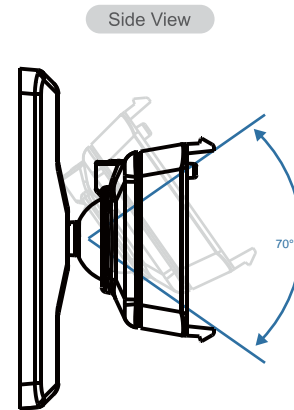
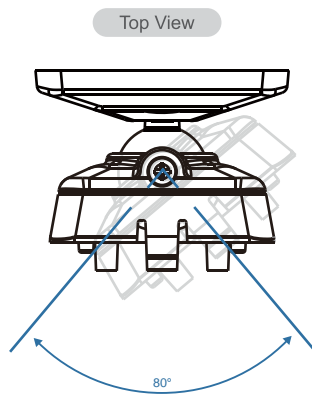
\*Note: Actual battery life may vary due with device settings, usage patterns, and operating environment.

## IR-32 PIR Motion Detector Series

### Detection Range



### Compatible with Rotating Holder (Optional)



### Ordering Information

- IR-32** PIR Motion Detector powered by two Alkaline batteries
- IR-32SL** PIR Motion Detector powered by one CR123 battery